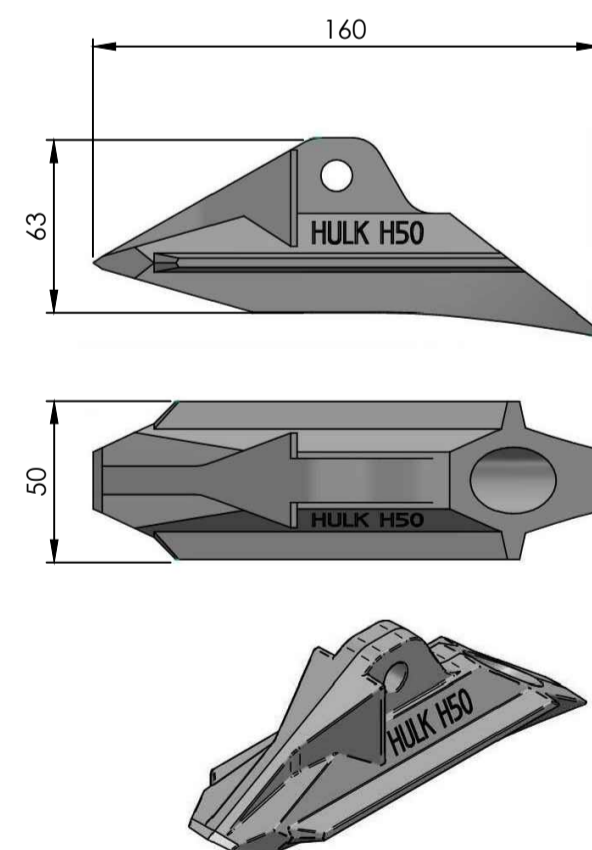
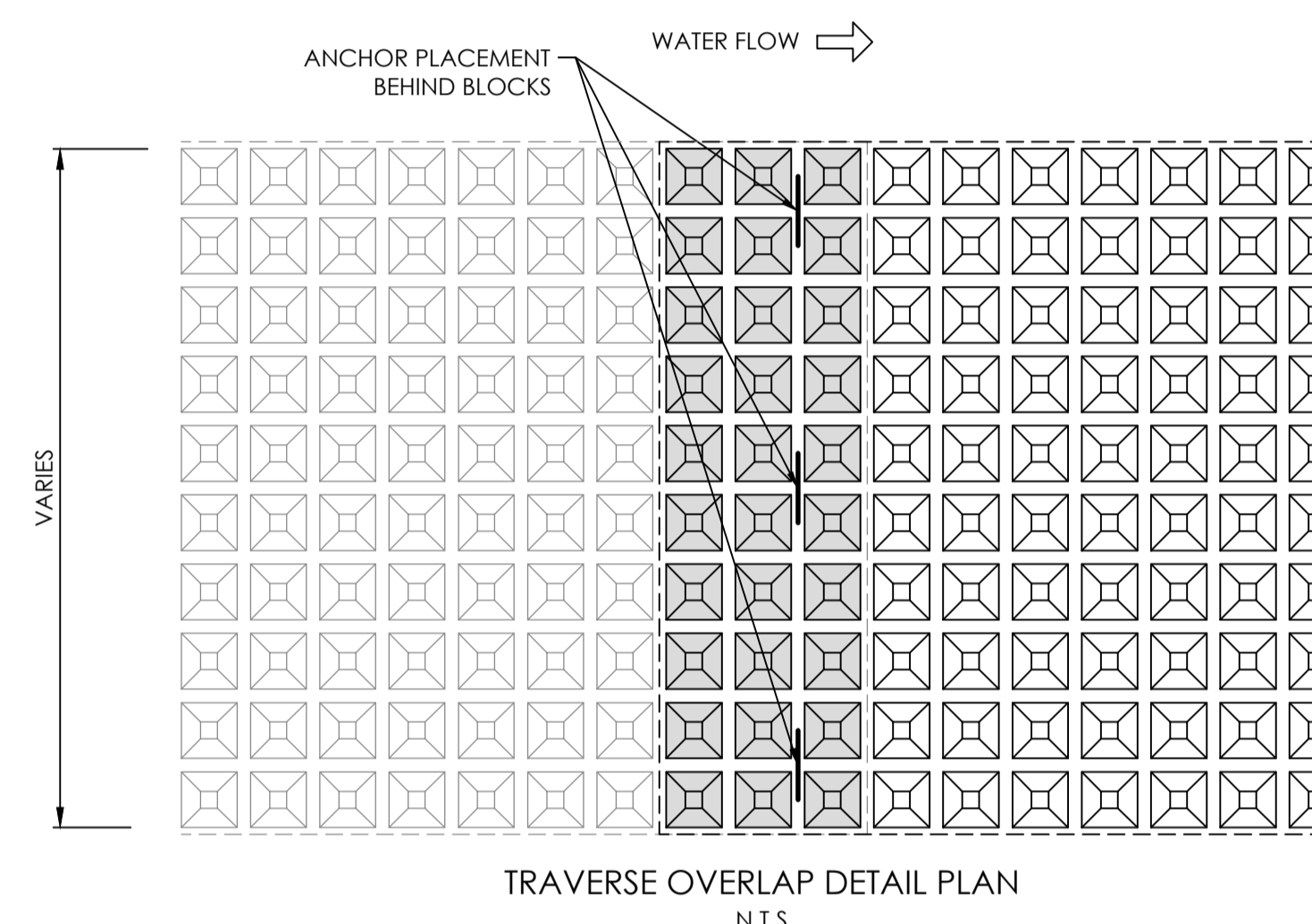
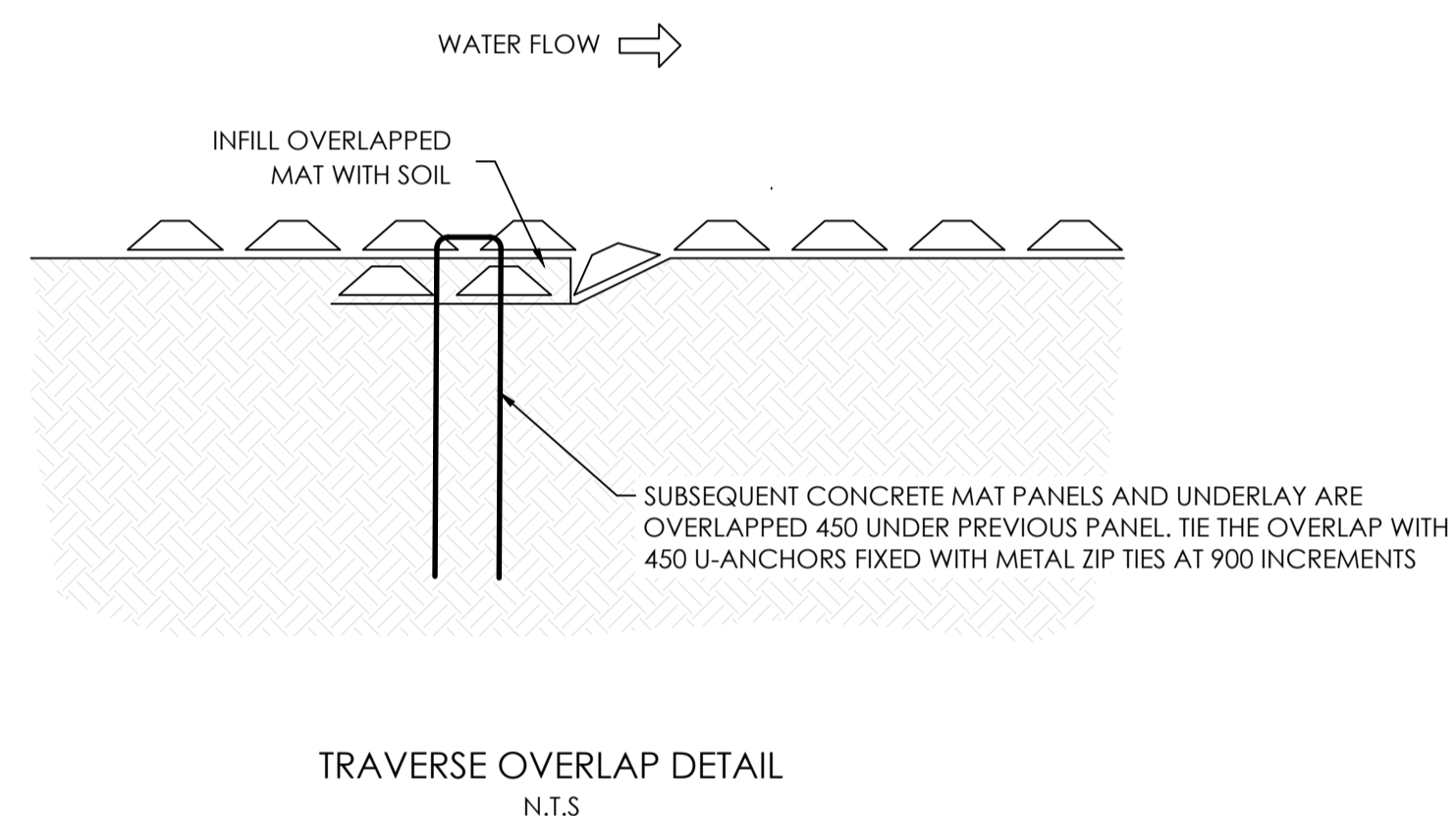
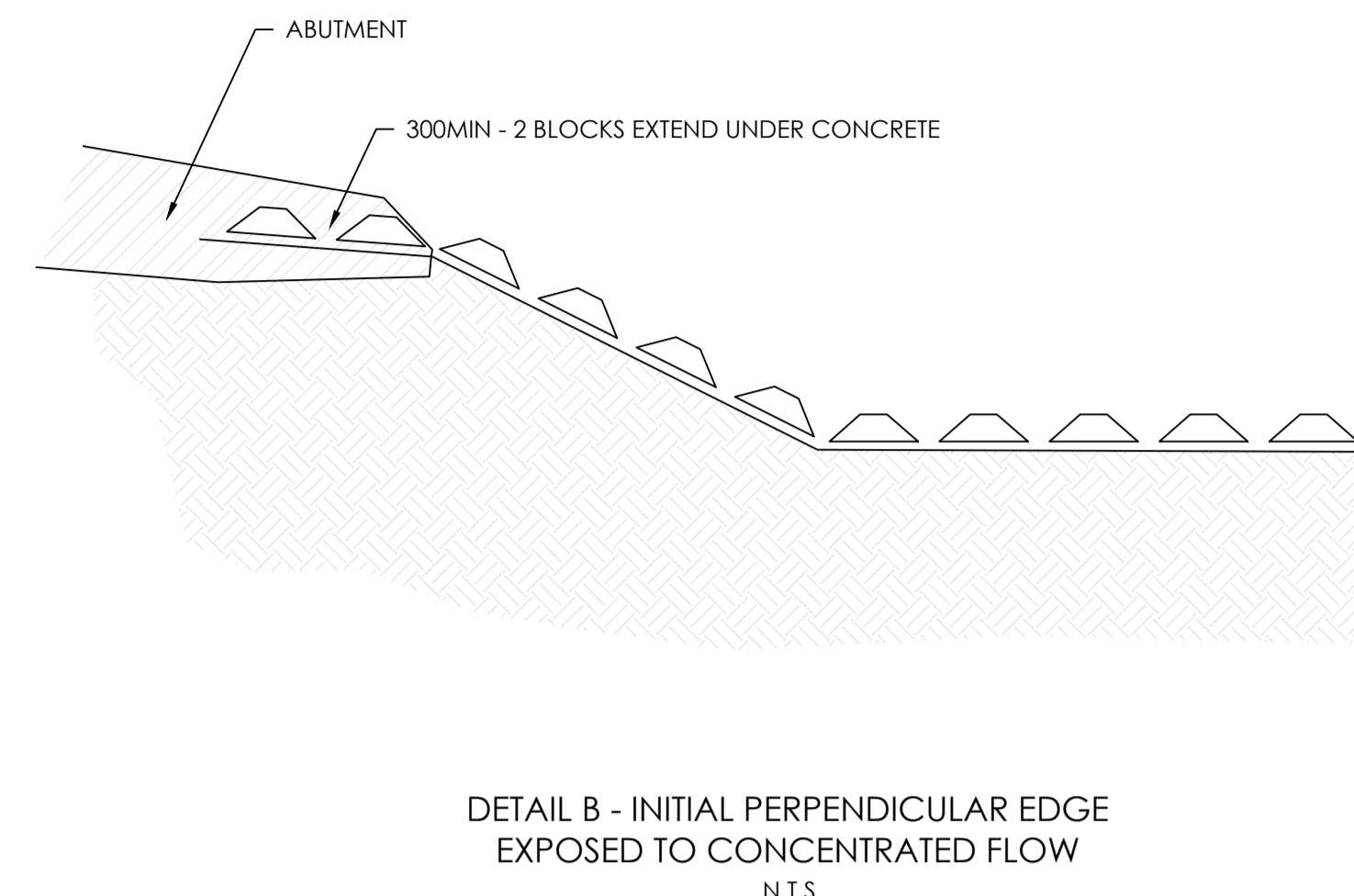
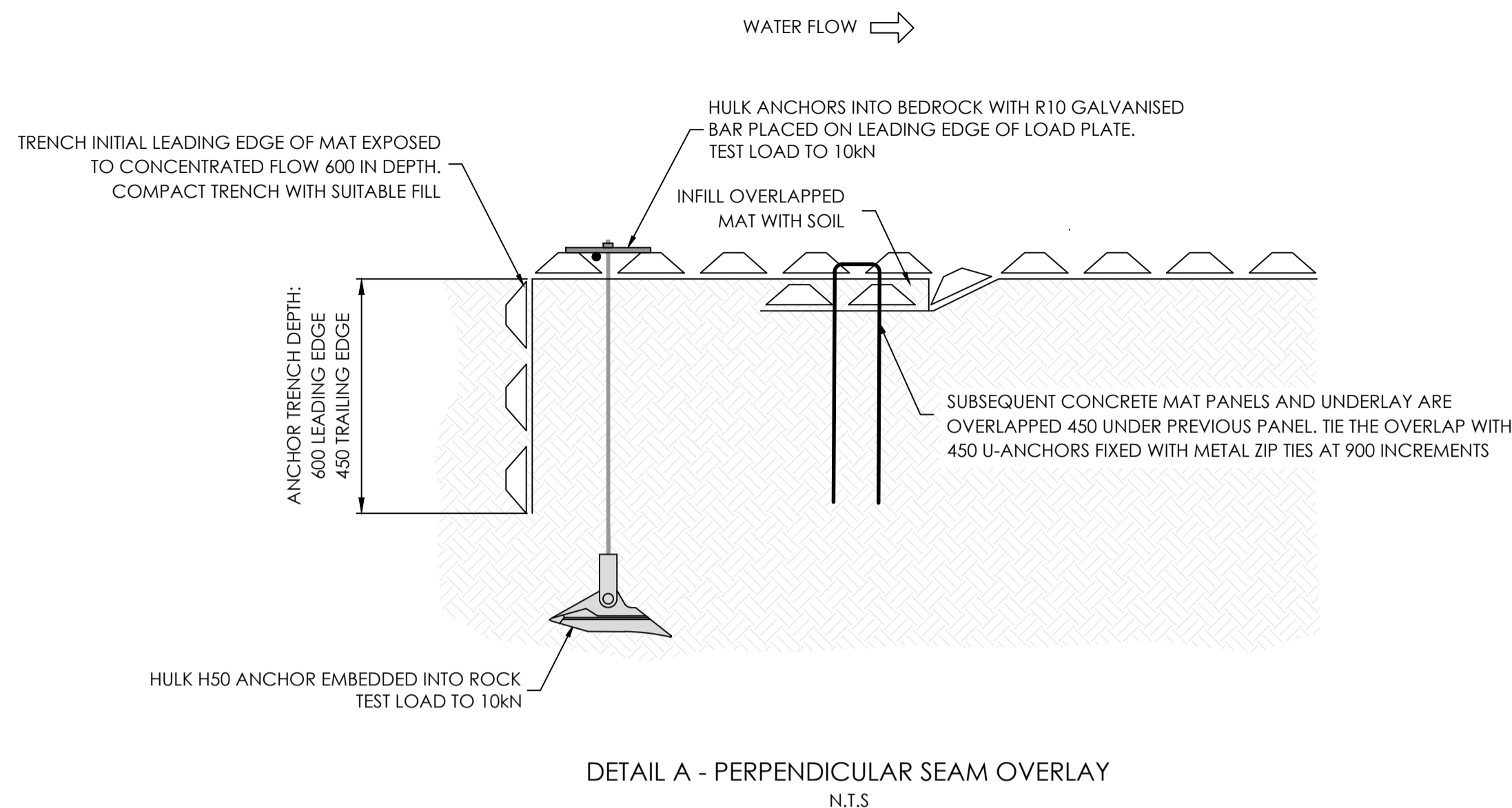


AMDT	DATE	DESCRIPTION	BY
P1	23.03.20	ISSUED FOR DA	AW
1	01.04.20	ISSUED FOR CONSTRUCTION	AW
P2	12.05.20	ISSUED FOR COMMENT	AW
2	21.05.20	ISSUED FOR CONSTRUCTION	AW

MANUFACTURING VALUES	
ROLL WIDTH	2.4m
ROLL LENGTH	TBC
MATERIAL WEIGHT	TBC
BLOCK SIZE	TBC

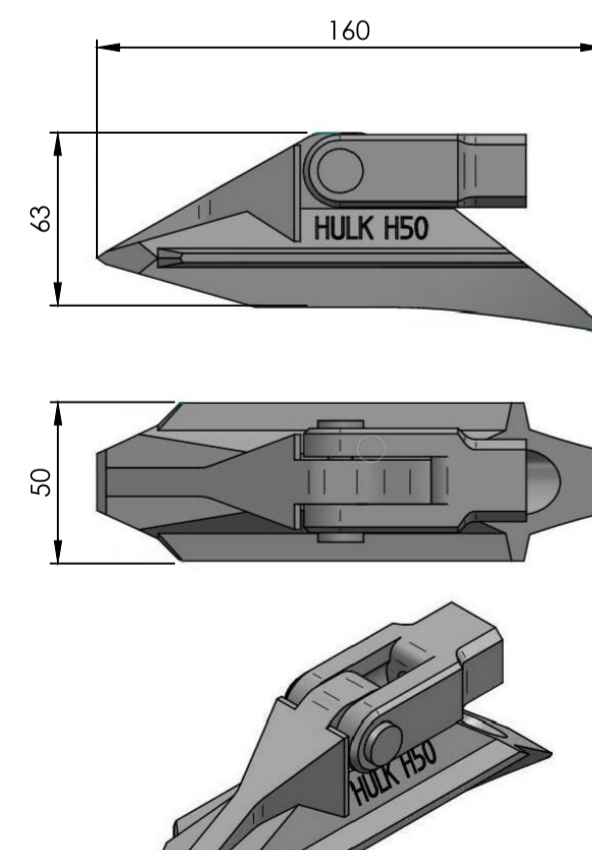
**NOTES:**

- GRADE THE SITES SO THAT WATER WILL NOT FLOW ABOVE, BELOW, OR AROUND THE OUTSIDE OF THE AREA PROTECTED WITH AUSTRALIAN CONCRETE MATS. ALL SUB GRADE SURFACES PREPARED FOR PLACEMENT OF MATS SHALL BE SMOOTH AND FREE OF ALL ROCKS, STICKS, ROOTS, OTHER PROTRUSIONS, OR DEBRIS OF ANY KIND.
- APPLY SITE SPECIFIC SEED, INCLUDING NATIVE GRASSES DIRECTLY TO THE PREPARED SOIL PRIOR TO AUSTRALIAN CONCRETE MAT INSTALLATION.
- AUSTRALIAN CONCRETE MAT ROLLS ARE AVAILABLE IN WIDTHS OF 2400mm WIDE.
  - TO ACHIEVE WIDER WIDTHS, INSTALL CONCRETE MATS ADJACENT TO ONE ANOTHER. INSTALL ADDITIONAL UNDERLAYMENT GEOGRID UNDER ALL ADJOINING MATS. A MINIMUM OF 450mm OF UNDERLAYMENT SHALL EXTEND UNDER EACH SIDE OF THE MAT AND DIRECTLY AGAINST THE SUB GRADE.
  - INSTALL 450mm REBAR U-ANCHORS OR STAINLESS STEEL ZIP TIES IN 900mm INCREMENTS THE LENGTH OF THE LONGITUDINAL SEAM.
- AT THE BEGINNING OF THE AUSTRALIAN CONCRETE MATS, TRANSITION THE INITIAL LEADING EDGE EDGE PROPERLY WITH EROSION MATTING OR SOD. IF EXPOSED TO CONCENTRATED FLOWS EMBED 600mm VERTICALLY INTO THE SUB GRADE TO SERVE AS AN ANCHOR TRENCH. THE TRENCH SHALL BE FILLED AND COMPACTED WITH SUITABLE FILL.
- FOR ADDITIONAL SECTIONS OF MAT, OVERLAP THE DOWNSTREAM SECTION 450mm WITH UPSTREAM SECTION OF MAT. PRIOR TO INSTALLING OVERLAP, FLIP UPSTREAM MAT BACK 600mm. EXCAVATE 60mm OF SOIL 450mm FROM END OF UPSTREAM MAT. DOWNSTREAM SECTION IS LAID IN THE SHALLOW TRENCH. LIGHTLY SPREAD TOPSOIL, SEED AND FERTILIZER OVER INITIAL EDGE. FLIP END OF UPSTREAM MAT OVER THE SOIL COVERED INITIAL LEADING EDGE OF DOWNSTREAM MAT.
- INSTALL 450mm U-ANCHORS IN 900mm INCREMENTS ACROSS THE OVERLAP. INSTALL ANCHORS DIRECTLY BEHIND BLOCKS. "U" ANCHORS CONSIST OF 10mm REBAR "U" ANCHOR WITH 450mm LEGS.
- AT THE END OF THE ARMORED CHANNEL, EMBED THE MAT 450mm IN A TERMINATION TRENCH. FILL AND COMPACT TERMINATION TRENCH WITH SOIL.



HULK 'H50' EARTH ANCHOR  
N.T.S.

TYPE: IMPACT DRIVEN SOIL ANCHOR FOR TENSILE LOADS  
 DIMENSIONS: W:50mm H:63mm L: 160mm  
 WEIGHT: 0.75kg  
 MATERIAL: DUCTILE IRON  
 MECHANICAL PROPERTIES: ULTIMATE STRENGTH: 75kN  
 YIELD STRENGTH: 45kN  
 Note: Holding capacities are tendon and soil dependant  
 SOIL BEARING SURFACE AREA: 69.32cm<sup>2</sup>  
 TYPICAL INSTALLATION DEPTH: 1m to 2.5m

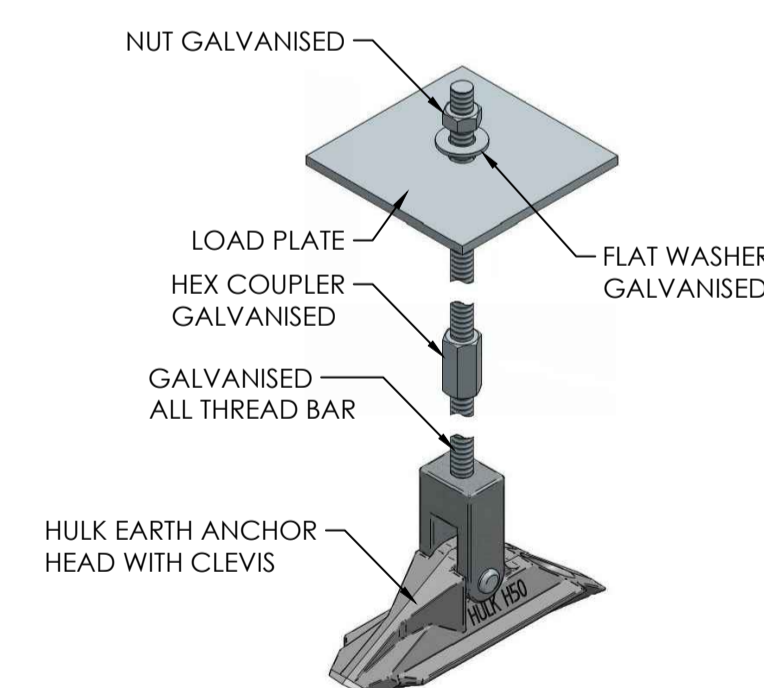


HULK 'H50' EARTH ANCHOR WITH CLEVIS  
N.T.S.

TYPE: IMPACT DRIVEN SOIL ANCHOR FOR TENSILE LOADS  
 DIMENSIONS: W:50mm H:63mm L: 160mm  
 WEIGHT: 1.0kg  
 MATERIAL: DUCTILE IRON  
 THREAD OPTIONS:  

CODE	THREAD SIZE	MBL in kN
HLKH50C10	M10	23kN
HLKH50C12	M12	34kN
HLKH50C16	M16	58kN
HLKH50D16	CTB16	75kN

 Note: Holding capacities are tendon and soil dependant  
 SOIL BEARING SURFACE AREA: 69.32cm<sup>2</sup>  
 TYPICAL INSTALLATION DEPTH: 1m to 2.5m



HULK THREADED ROD ASSEMBLY  
N.T.S.

HULK 'H' RANGE EARTH ANCHOR HEAD WITH CLEVIS OPTIONS				
ORDER CODE	ANCHOR MODEL	THREAD	QTY PER CASE	WEIGHT PER CASE
HCOC10	HULK H50	M10	15	18
HCOC12		M12		
HCOC16		M16		



CLIENT  
DAVBRIDGE  
STATUS  
CONSTRUCTION

THIS DOCUMENT IS ISSUED BY MOSIAC Pty. Ltd. (ABN 19 699 901 528) AND IS SUBJECT TO THE RELEVANT CONTRACT BETWEEN MOSIAC Pty. Ltd. AND ITS CLIENT. THE CONCEPTS AND INFORMATION CONTAINED IN THIS DOCUMENT ARE THE COPYRIGHT OF MOSIAC Pty. Ltd. USE OR COPYING OF THIS DOCUMENT WITHOUT WRITTEN PERMISSION OF MOSIAC Pty. Ltd. CONSTITUTES AN INFRINGEMENT OF COPYRIGHT.

DISCIPLINE  
CIVIL DESIGN

PROJECT  
SCOUR PROTECTION DESIGN

DRAWING TITLE  
SOIL STABILISATION  
DETAILS  
ADDRESS  
BINNIES ROAD  
IPSWICH 4305

PROJECT DETAILS  
DESIGN SR  
DRAWN AW  
DATE MARCH 2020  
DRG SIZE A1  
SCALE AS SHOWN  
PROJECT SF  
MGR  
WWW.JN.COM.AU

Q020008  
C102 2